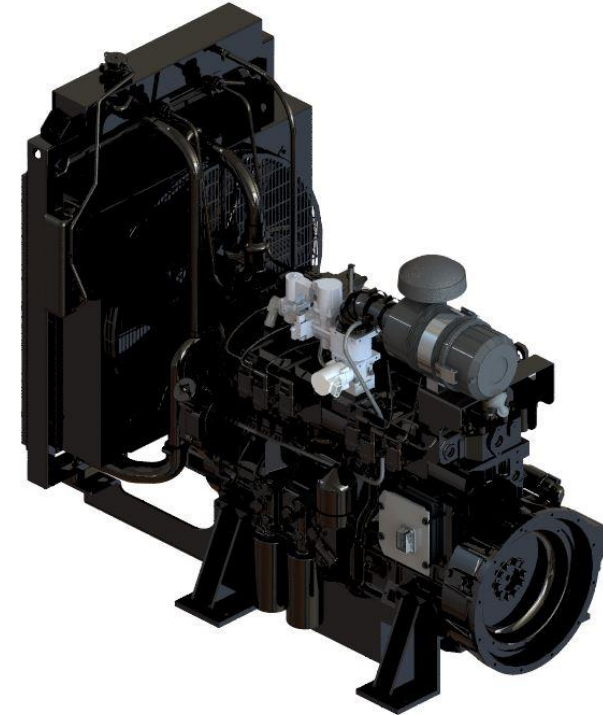


Cylinders	6
Induction System	TCAC
Combustion System	Spark Ignited
Cooling System	Water Cooled
Displacement	6.48 L (395.4 cid)
Compression Ratio	9:1
Bore x Stroke	4.1 x 4.9 in. (105 x 125 mm)
Rotation	CCW Viewing Flywheel
Approximate Dry Weight	1,990 lbs. (902.6 kg)
Length	63.0 in. (160.0 cm)
Width	37.5 in. (95.3 cm)
Height	57.5 in. (146.0 cm)



*Image shown is for illustration purposes only and may not be an exact representation of the final product.*

### 50 Hz (1,500 RPM)

Application	Fuel	kWe	kWm	bHp
Prime	NG	87	97	130
Prime	LPG/VPG	61	68	91
Standby	NG	97	108	144
Standby	LPG/VPG	68	75	101

### 60 Hz (1,800 RPM)

Application	Fuel	kWe	kWm	bHp
Prime	NG	100	111	149
Prime	LPG/VPG	70	78	104
Standby	NG	111	123	165
Standby	LPG/VPG	78	86	116

*Weight, physical dimensions and power ratings are for reference only. Final product data may differ slightly.*